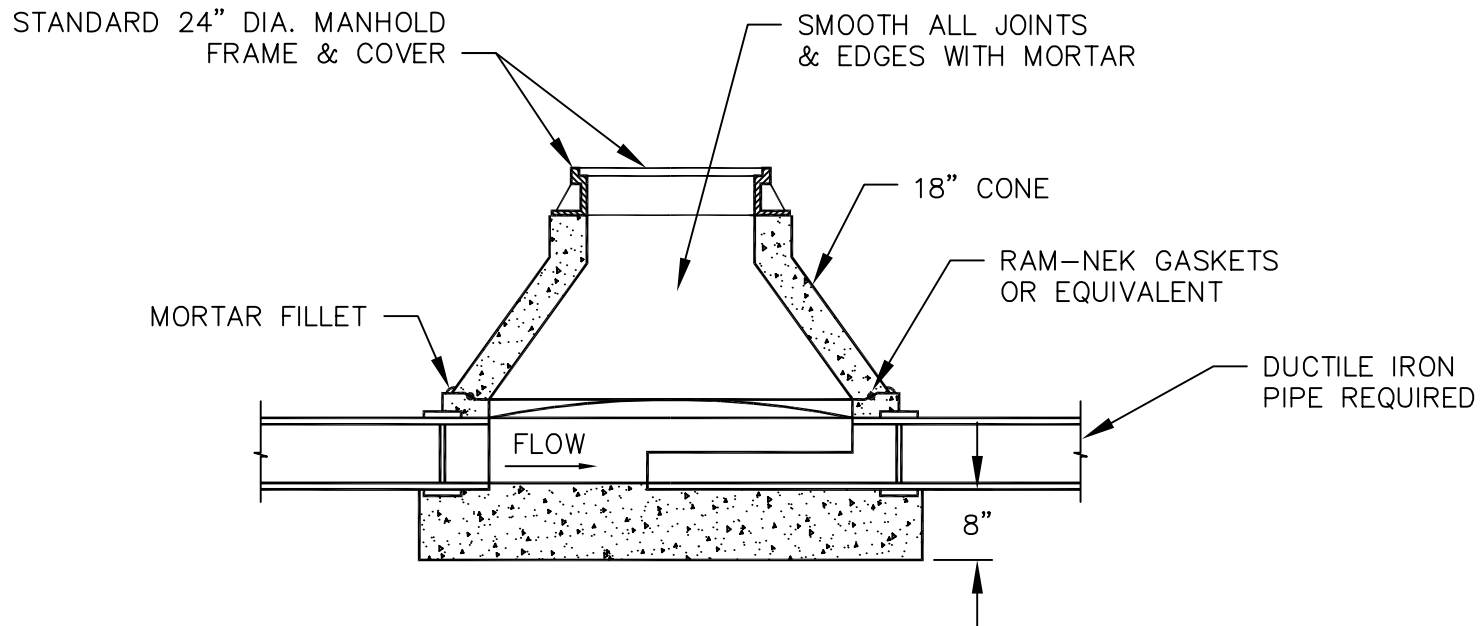


APPROVED: *Jim Hackworth*
DIRECTOR OF PUBLIC WORKS

**COUNTY OF PLACER
DEPARTMENT OF PUBLIC WORKS**

SPECIAL SANITARY SEWER MANHOLE

DATE: JULY, 2005 | NTS | PLATE **U-11** (88)



**THIS MANHOLE IS USED WHERE TOP OF PIPE IS
LESS THAN 30 INCHES BELOW SURFACE.**

NOTES:

1. FOR MANHOLE FRAME & COVER DETAILS, SEE PLATE U-13.
2. FOR CAST-IN-PLACE BASE DETAIL SEE PLATE U-10.1.
3. FOR PIPES WITH LESS THAN 22 IN. COVER, NOTCH HOLE IN SIDE OF CONE.