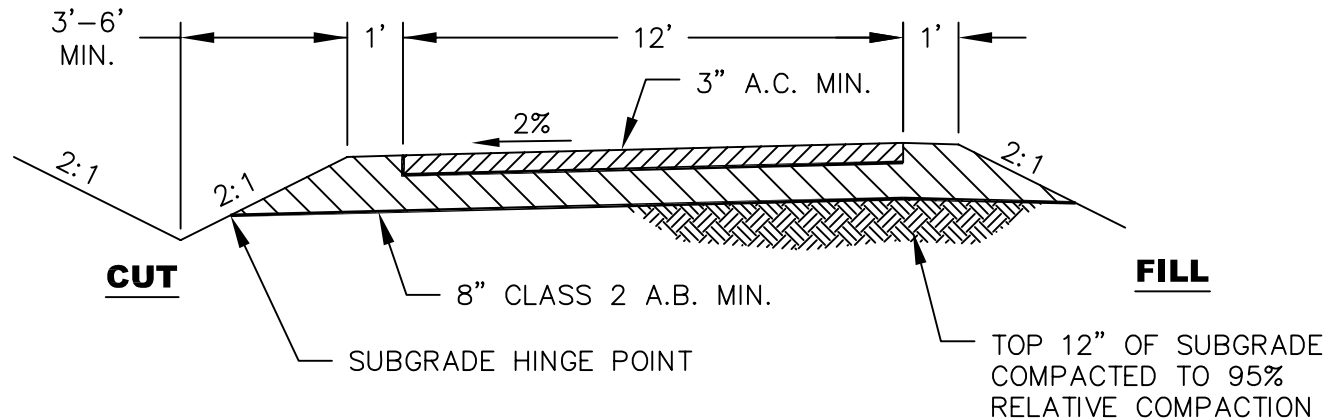


APPROVED: *Jim Hackworth*
DIRECTOR OF PUBLIC WORKS

**COUNTY OF PLACER
DEPARTMENT OF PUBLIC WORKS**

UTILITY ACCESS ROAD

DATE: JULY, 2005 | NTS | PLATE **U-21**



NOTES:

1. MAXIMUM VERTICAL GRADE IS 12%.
2. DITCH FLOWLINE MUST BE A MINIMUM OF ONE FOOT BELOW SUBGRADE HINGE POINT. THE DITCH MAY BE REQUIRED TO BE LARGER DEPENDING ON THE DRAINAGE TO BE CONVEYED.
3. A.C. MIX SHALL BE AR8000, 3/4 IN. AGGREGATE.