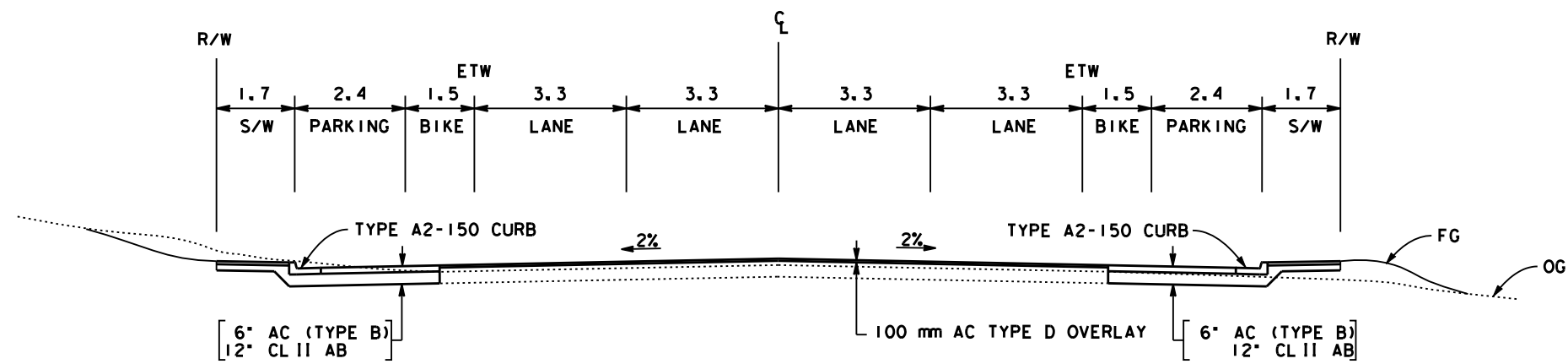


**ALT 3 - SR 28
TURN LANE AREAS AND NO PARKING**

STA 146+87 TO 148+75



**ALT 3 - SR 28
SR 267 TO CHIPMUNK**

STA 146+87 TO 162+45

PLAN SCALE: NO SCALE
PROFILE SCALE: NA
HORIZ: NA
VERT: NA

DATE: 12/01/06
DESIGNED: _____
DRAWN: _____
CHECKED: BRS
RECORD: _____
DRAWING: _____
CONTRACT NO. _____

DEPARTMENT OF PUBLIC WORKS
COUNTY OF PLACER
KINGS BEACH COMMERCIAL CORE IMPROVEMENT PROJECT
FEASIBILITY STUDY - ALTERNATIVE 3 - TYPICAL SECTIONS



SHEET NO.
12
OF
18