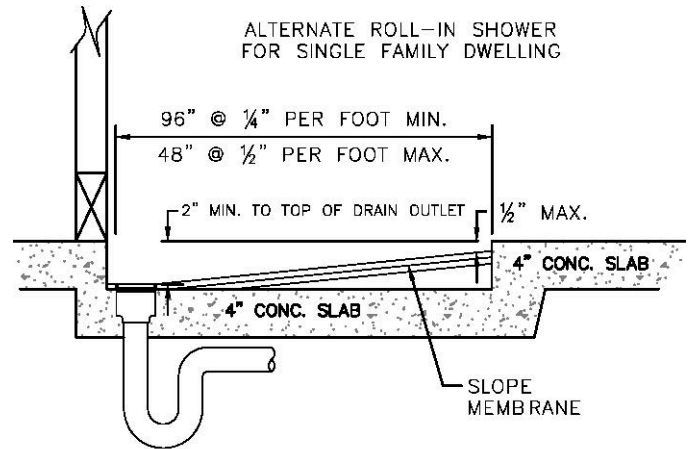
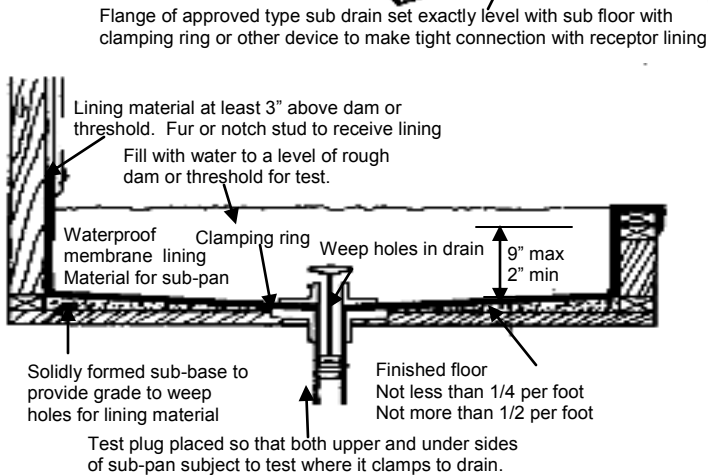
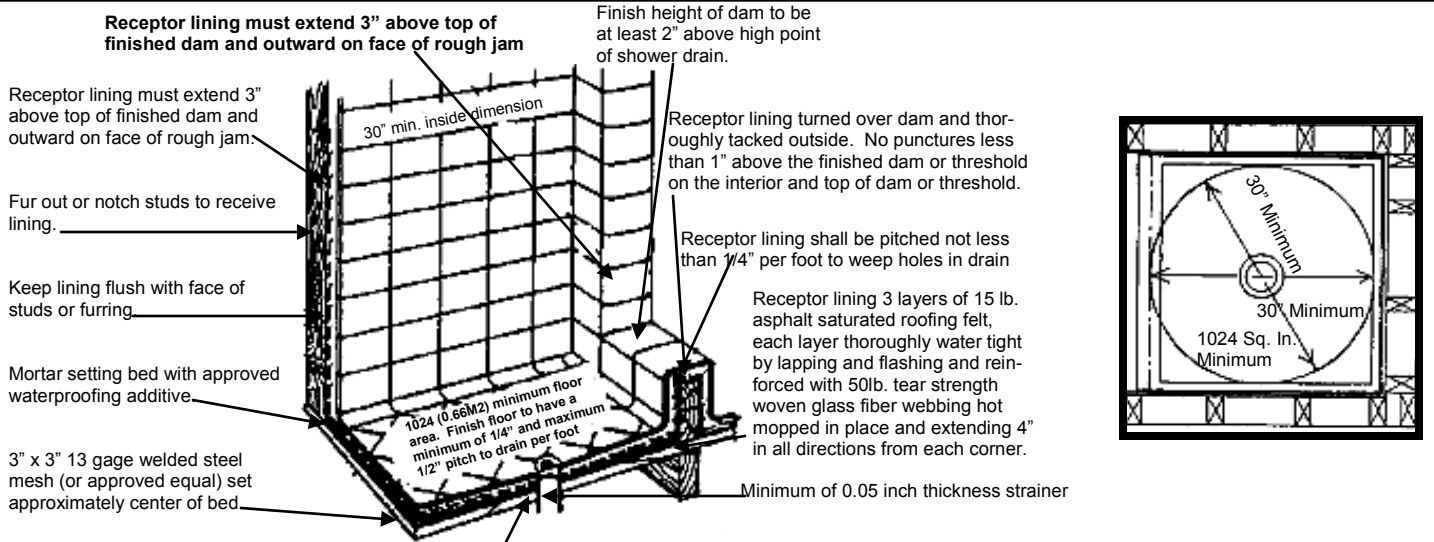


2016 CALIFORNIA BUILDING STANDARDS CODE OF REGULATIONS TITLE 24

SHOWER PAN



- Shower drains shall be of an approved type, suitably flanged to provide a watertight seal. The drain assembly shall be provided with weep holes to allow drainage of the pan lining. An approved strainer is to be provided. A minimum 2-inch waste pipe and trap is required.
- The dam or threshold shall be a minimum of 2-inches and a maximum of 9-inches above the top of the drain. The finished floor shall have a uniform slope of 1/4" – 1/2" per foot.
- The floor area of the shower shall be 1,024 in² and allow for a 30-inch diameter circle, measured at the top of the dam or threshold. The minimum area shall be maintained to a height of 70-inches above the drain. Thresholds need to be wide enough to accommodate a 22-inch wide door.
- The pan liner shall extend up the walls a minimum of 3-inches above the top of the finished dam or threshold. The pan liner may be constructed of an approved plastic, sheet lead or copper with a 15# felt underlayment, or a 3-layer hot-mopped 15# felt built-up assembly. Refer to the CBC for specific construction requirements. The pan liner shall maintain a uniform slope of 1/4" – 1/2" per foot.
- The pan liner and drain connection is to have a standing water test filled to the top of the dam or threshold for inspection. Purple or Green Backer Board is not permitted.
- Backer Board Material shall be glass mat gypsum ASTM C1178, fiber reinforced gypsum ASTM C1278, nonasbestos fiber-cement board ASTM C1288, nonasbestos fiber mat board ASTM C1178