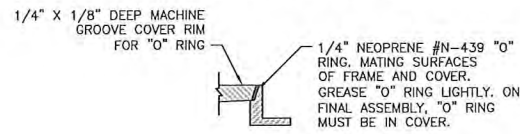
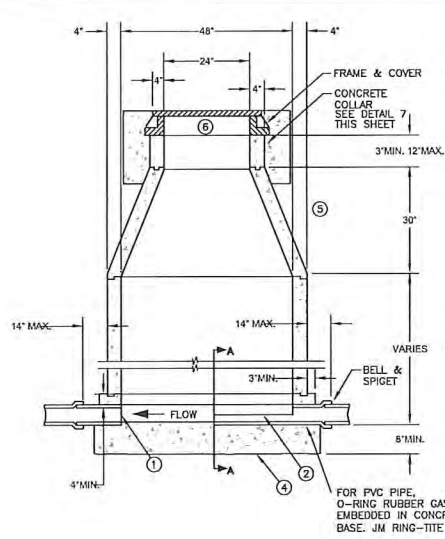


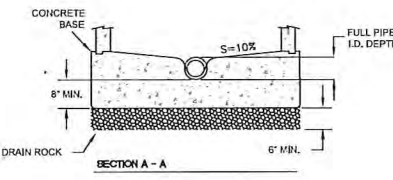
TAPERED FRAME AND COVER DETAIL



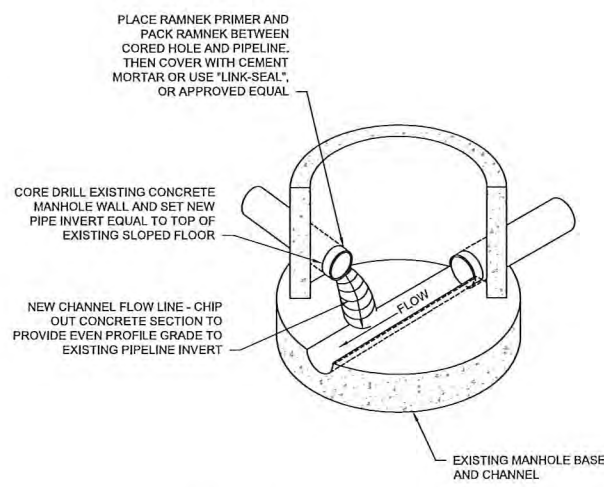
1 MANHOLE FRAME AND COVER DETAIL
N.T.S.



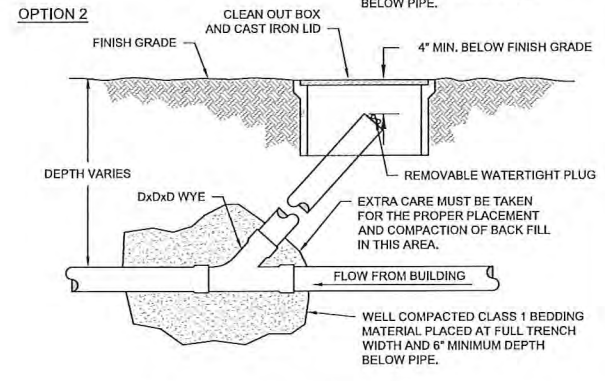
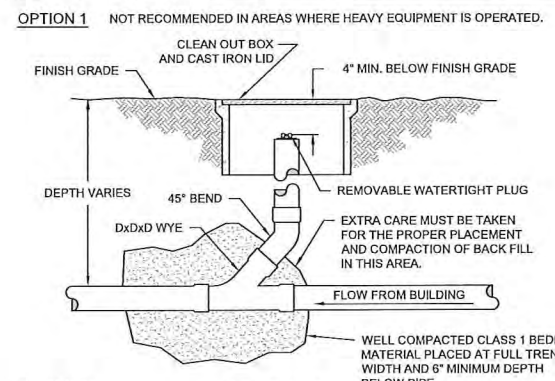
- NOTES:
1. PIPE MAY STOP AT INSIDE FACE OF MH.
 2. IF PIPE IS LAID CONTINUOUS, TOP HALF SHALL BE CUT AWAY BEFORE BASE IS POURED, & BASE SHALL BE FORMED CLEANLY TO CUT SURFACE AS SHOWN ON SEC. A-A.
 3. PRECAST MANHOLE COMPONENTS SHALL CONFORM TO ASTM C-478.
 4. FOR CAST-IN-PLACE BASES, CONCRETE SHALL BE PLACED AGAINST UNDISTURBED EARTH.
 5. CLASS 2 BACKFILL AT 95% R.C. IN ALL STREETS, CLASS 3 @ 90% R.C. IN OTHER AREAS.
 6. CHIMNEY SEAL REQUIRED FOR ALL MANHOLES, SEE DETAIL 6, THIS SHEET.
 7. SET MANHOLE COVER 1/2\"/>



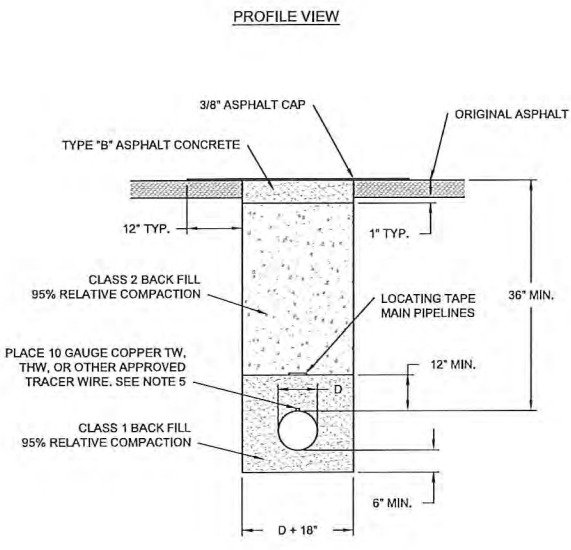
2 SANITARY SEWER MANHOLE
N.T.S.



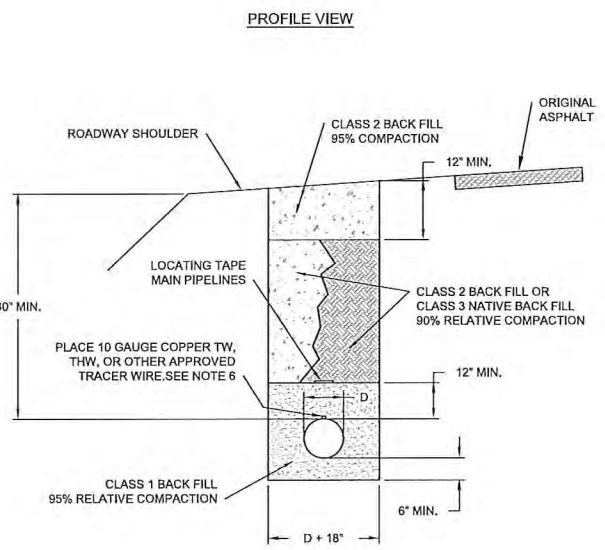
3 PIPE CONNECTION TO EXISTING SSMH
N.T.S.



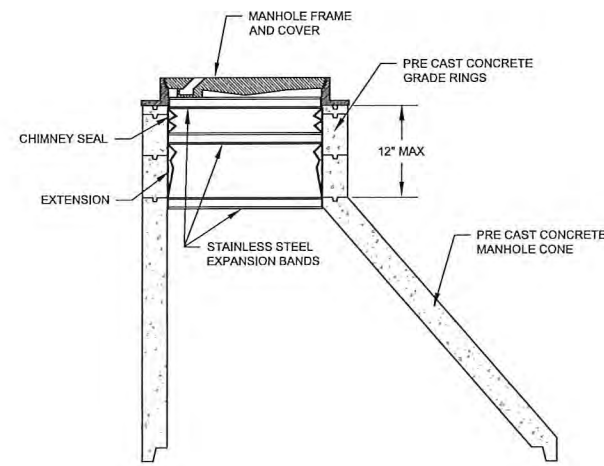
4 SANITARY SEWER CLEAN OUT DETAIL
N.T.S.



5 SANITARY SEWER TRENCH DETAIL
N.T.S.



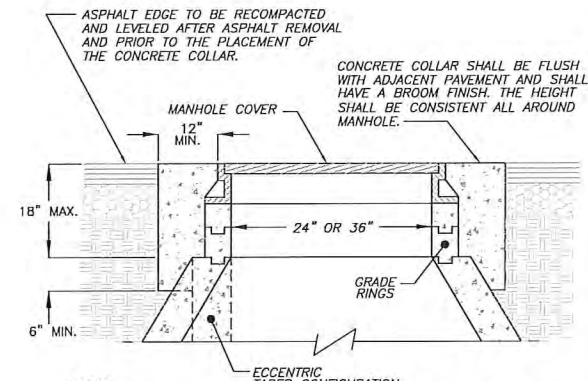
- NOTES:
1. ALL SEWERAGE WORKS TO MEET OR EXCEED PLACER COUNTY C.S.D. CODE REQUIREMENTS.
 2. D = PIPE DIAMETER.
 3. TRENCH BRACING OR SHORING AS REQUIRED BY THE "CONSTRUCTION SAFETY ORDERS", STATE OF CALIFORNIA, DEPARTMENT OF INDUSTRIAL RELATIONS.
 4. ROADWAY SHOULDERS SHALL BE CONSIDERED VEHICLE AREA AND ARE SUBJECT TO PIPELINE REQUIREMENTS OF APPENDIX A-5.
 5. A MINIMUM OF 30 INCHES COMPACTED EARTH FILL SHALL COVER ALL GRAVITY AND FORCE BUILDING AND SERVICE LATERALS. COVER LESS THAN 48 INCHES IN VEHICULAR TRAVELED WAYS REQUIRES HEAVIER WALLED PIPE AS LISTED IN APPENDIX A-5.
 6. A GREEN LOCATOR WIRE SHALL BE PLACED ON ALL MAINS AND SERVICES AND SHALL BE CONTINUITY TESTED.



CHIMNEY HEIGHT	SEAL
0 THROUGH 4-1/2"	CHIMNEY SEAL ONLY
4-1/2" THROUGH 10"	SEAL + 7" EXTENSION
10" THROUGH 12"	SEAL + 10" EXTENSION

NOTE: FRAME OFFSETS AND DIAMETER DIFFERENTIALS WILL REDUCE SEAL/EXTENSION SPAN HEIGHT.

6 MANHOLE CHIMNEY SEAL
N.T.S.



- NOTES:
1. CONCRETE COLLAR TO BE PORTLAND CEMENT CONCRETE (P.C.C.) WITH THE FOLLOWING CHARACTERISTICS: 4000 PSI MIN. COMPRESSIVE STRENGTH AT 28 DAYS, MIN. 6 SACKS OF CEMENT PER CUBIC YARD WITH A MAX. WATER/CEMENT RATIO OF 0.45, AIR ENTRAINMENT 6% ± 1.5% AND SLUMP AT 1 TO 4 INCHES. ALL MATERIAL SHALL CONFORM TO SSPWC SECTION 202.
 2. CIRCUMSTANCES MAY REQUIRE THE NEED FOR SPECIAL TYPES OF TOP OF MANHOLE CONFIGURATIONS SUCH AS FLAT TOP, ABOVE GROUND, ETC. AS DIRECTED BY THE CITY OF RENO. DETAILED PLANS OF ANY SPECIAL TOP OF MANHOLE CONFIGURATIONS AND ASSOCIATED COLLARS MUST BE APPROVED BY THE ENGINEER.
 3. IN UNPAVED AREAS, IT SHALL BE NECESSARY TO SET THE MANHOLE RIM APPROXIMATELY 6 INCHES ABOVE THE SURROUNDING AREA. INSTALL A 6 INCH THICK RING OF CONCRETE, TAPERED AT A 3:1 SLOPE, FROM THE TOP, OUTSIDE EDGE OF THE COLLAR TO THE EXISTING GROUND SURFACE.
 4. MANHOLE LIDS SHALL NOT BE LOCATED IN GUTTER PANS, UNLESS OTHERWISE APPROVED BY THE CITY ENGINEER.

7 MANHOLE COLLAR DETAIL
N.T.S.

PLACER COUNTY
TRPA
SUBMITTAL
DATE: 07-29-15

RECORD DRAWINGS



DATE _____ ENGINEER INITIAL _____

BROCKWAY CAMPGROUND
PLACER COUNTY, CALIFORNIA

SIERRA PACIFIC INDUSTRIES
PO BOX 496028 REDDING, CA.
(530) 378-8000

Revisions:

WELSH & HAGEN
ASSOCIATES
ENGINEERING - PLANNING - SURVEYING
5490 Longley Lane
Reno, Nevada 89511
(775) 853-7776
www.welshhagen.com

NOTE:
This drawing is the property of Welsh Hagen Associates, Inc., including all patented and patentable features, and/or confidential information. Its use is conditioned upon the user's agreement not to reproduce the drawing, in whole or part, nor the material described thereon; nor to use the drawing for any purpose other than specifically permitted in writing by Welsh Hagen Associates, Inc.



PRELIMINARY
NOT FOR
CONSTRUCTION

Sheet Title:

UTILITY DETAILS
(SEWER)

Project: 404100
Drawn By: BAMP
Checked By: DLH
Scale: AS-NOTED
Date: JULY 2015
Sheet Number:

C10.1